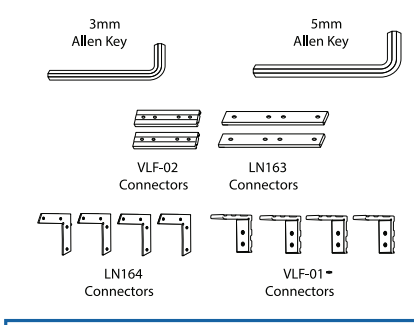
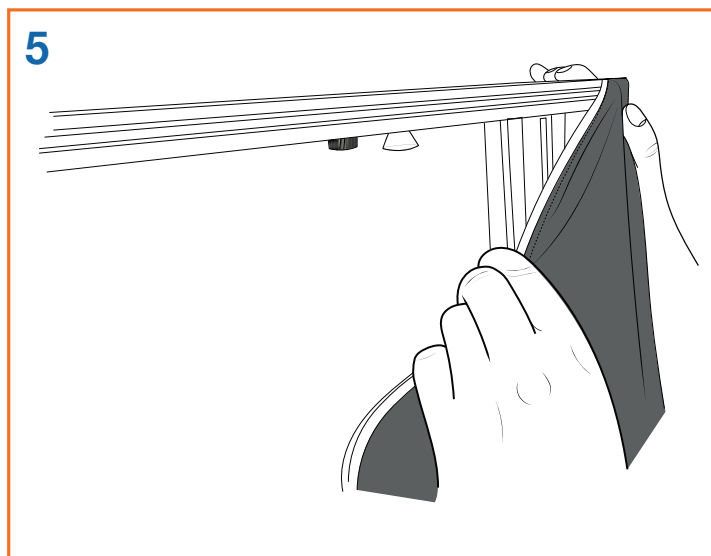
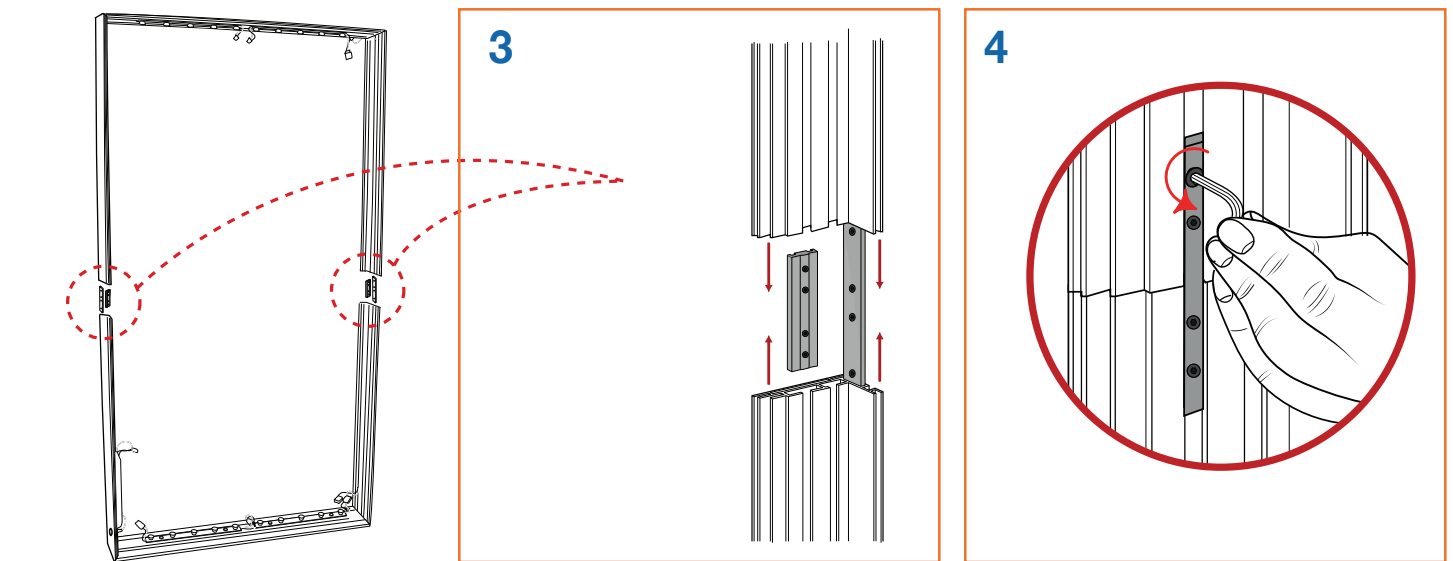
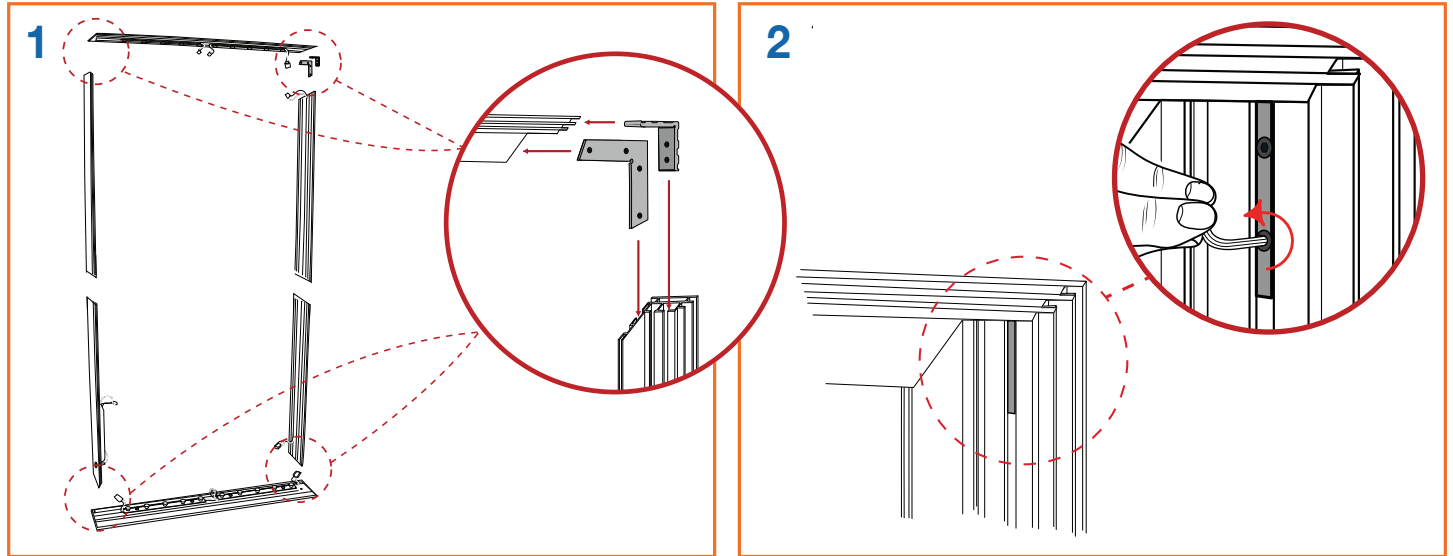


Wall mounted LED Lightbox

Instructions



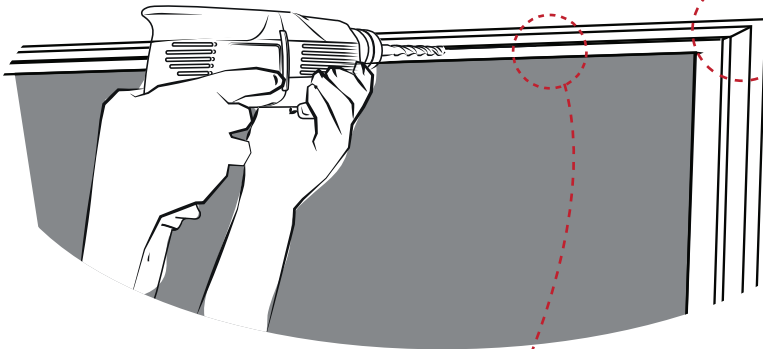
DOUBLE CHECK ALL SOCKETS AND CONNECTIONS BEFORE SUPPLYING POWER. MIS-USE COULD DAMAGE LED LIGHTS



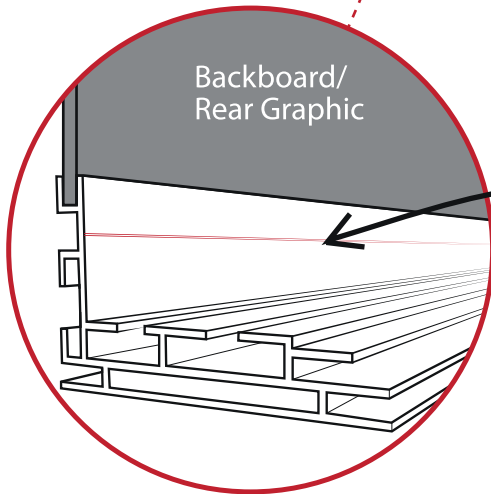
Wall mounted LED Lightbox Mounting Frame to Wall

1

Drill holes as required
(every 1000mm)

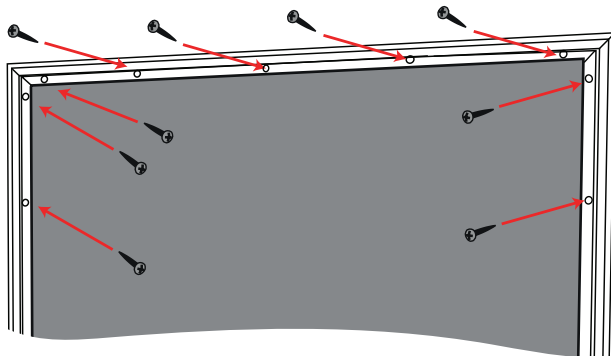


Two holes to be drilled at
each corner of frame



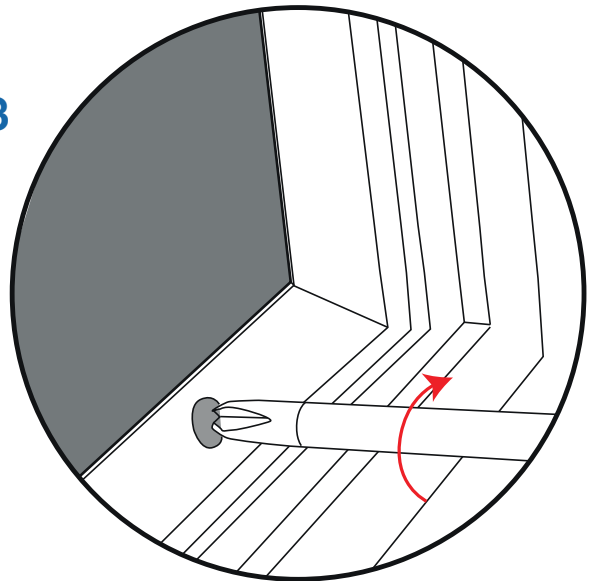
Use the "V-Groove" as a
guide for where to drill
the frame

2



Place screws
(not provided) into
each of the drilled holes

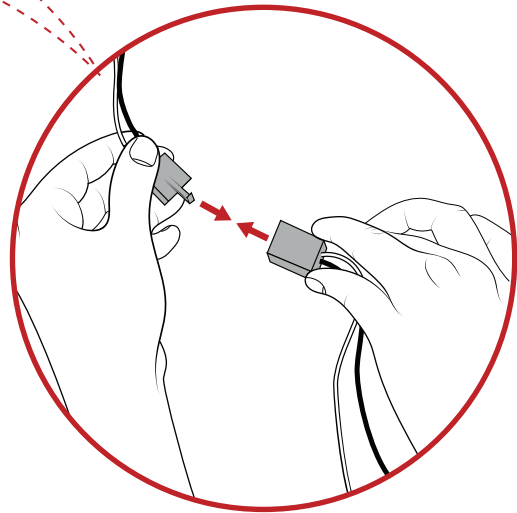
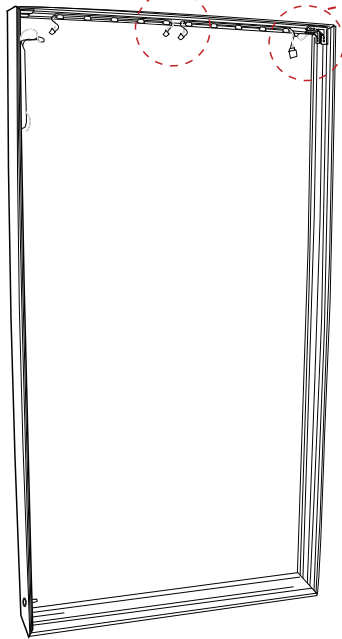
3



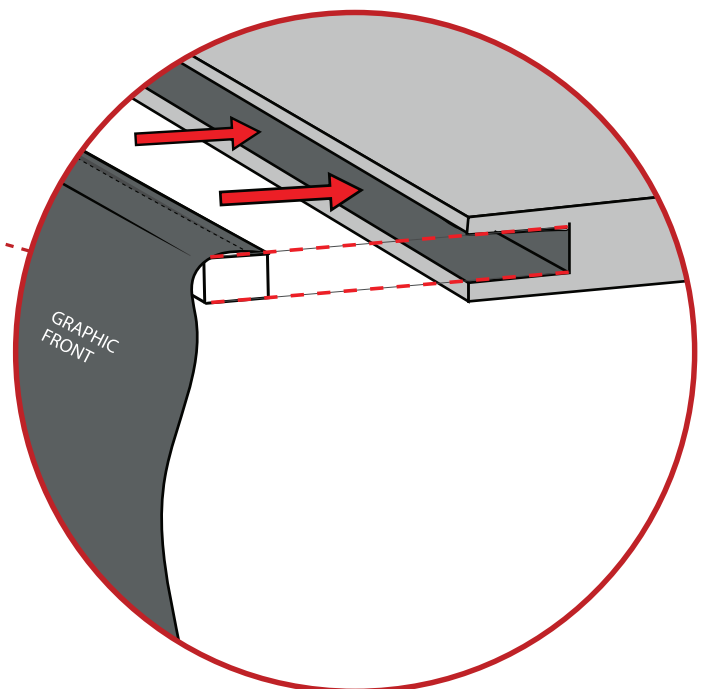
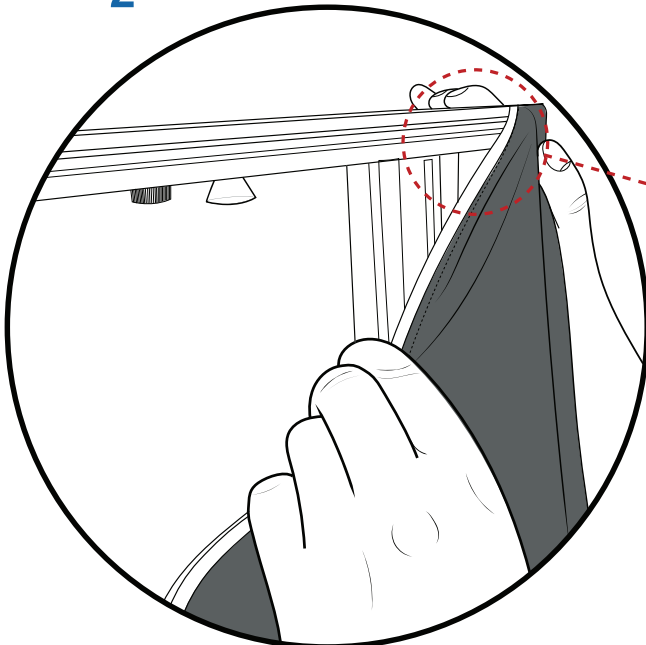
Wall mounted LED Lightbox

Link up / Attaching Graphics

1

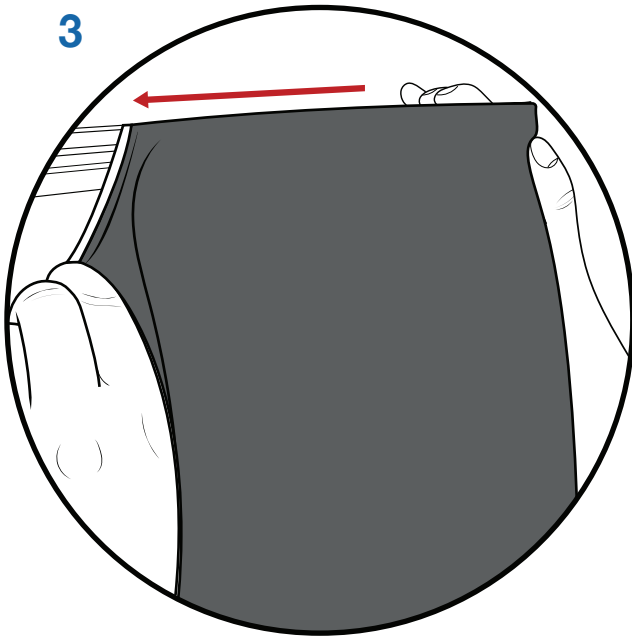


2

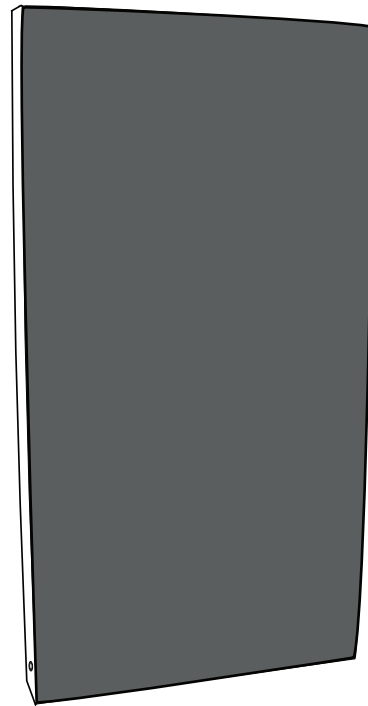




3

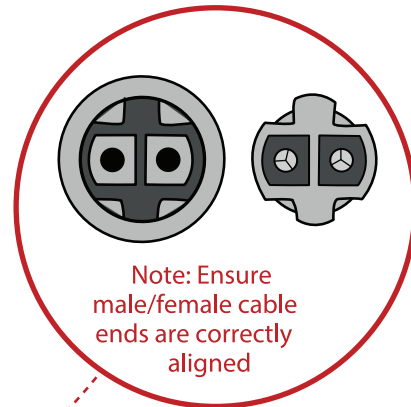
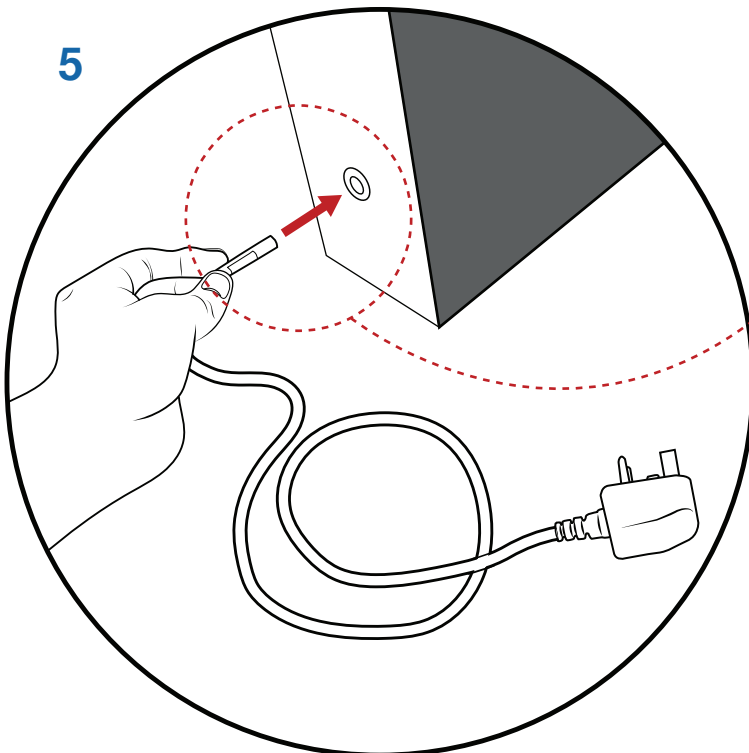


4

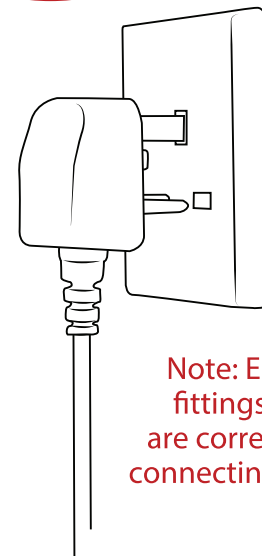


Note: Repeat steps for the rear of lightbox with fabric or backing board

5



Note: Ensure male/female cable ends are correctly aligned



Note: Ensure all fittings/cables are correct before connecting to power