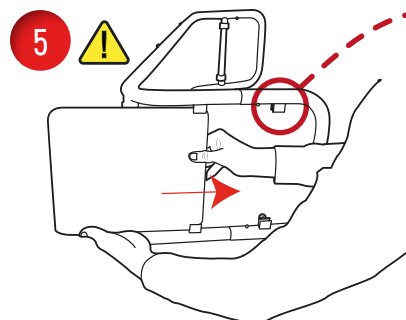
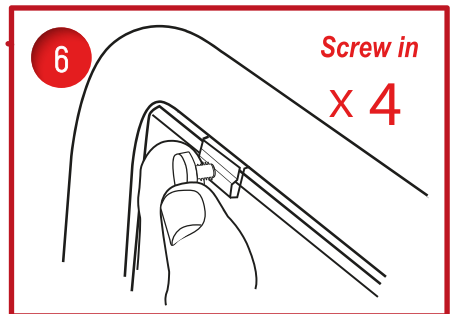
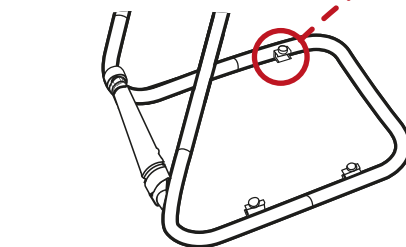
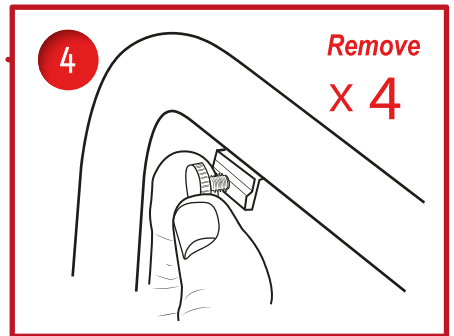
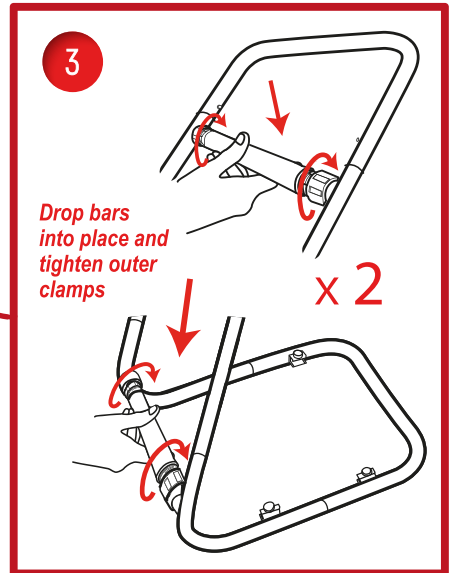
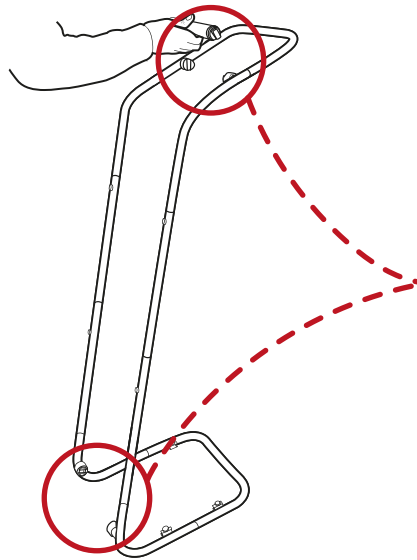
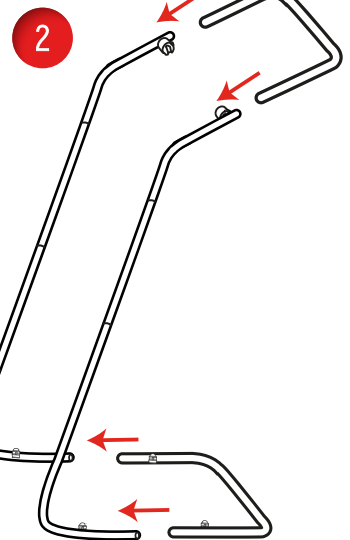
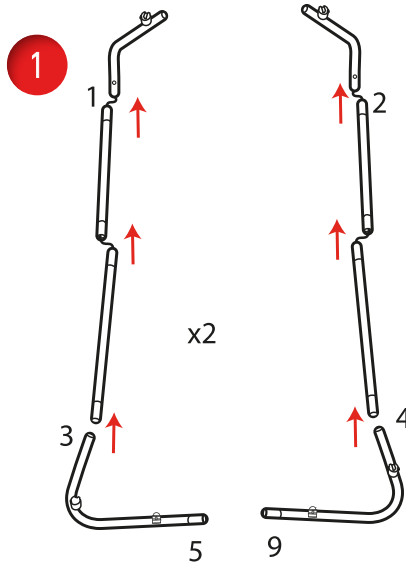

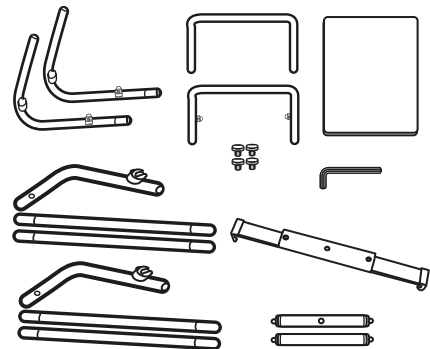


Universal iPad & Tablet Stand


User Instructions




 PARTS (NOT TO SCALE)





**tablet not included*

 TOOLS REQUIRED



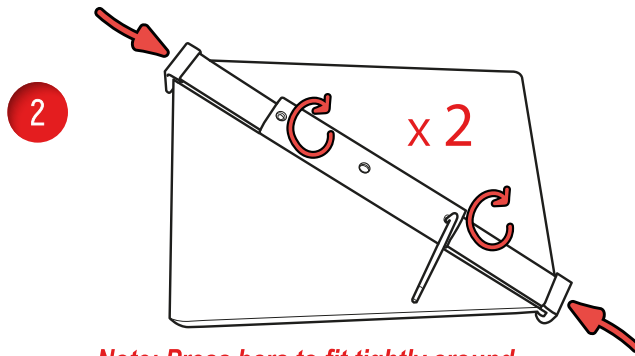
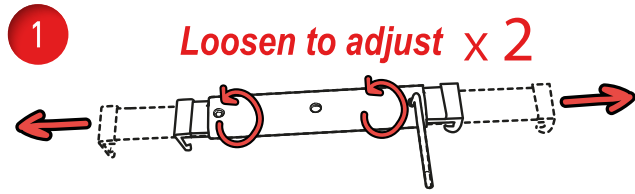
4mm
Provided in a box

 FOR ATTENTION

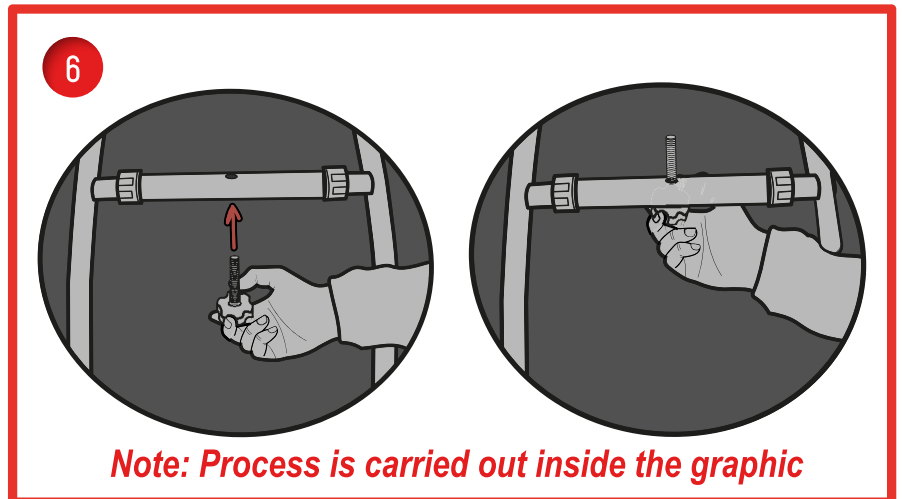
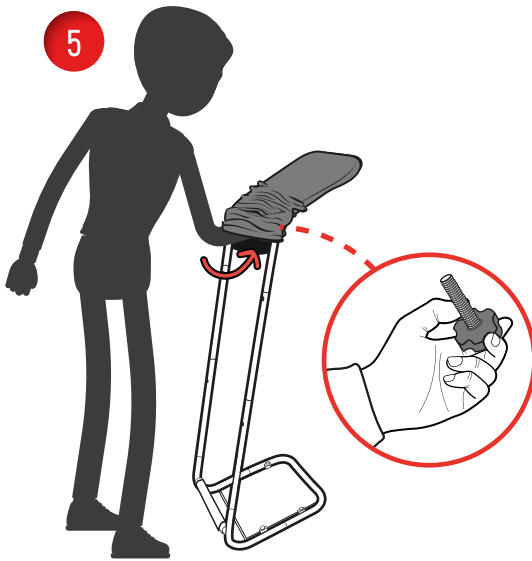
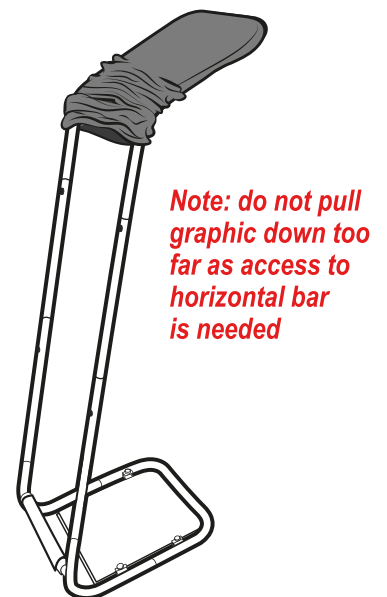
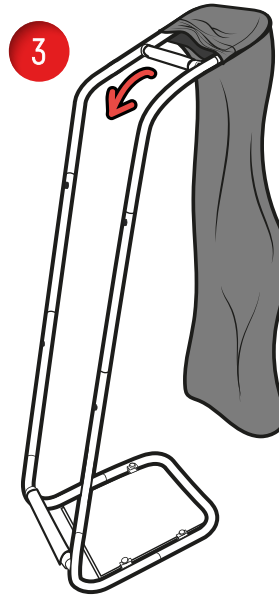


CAUTION
HEAVY PARTS

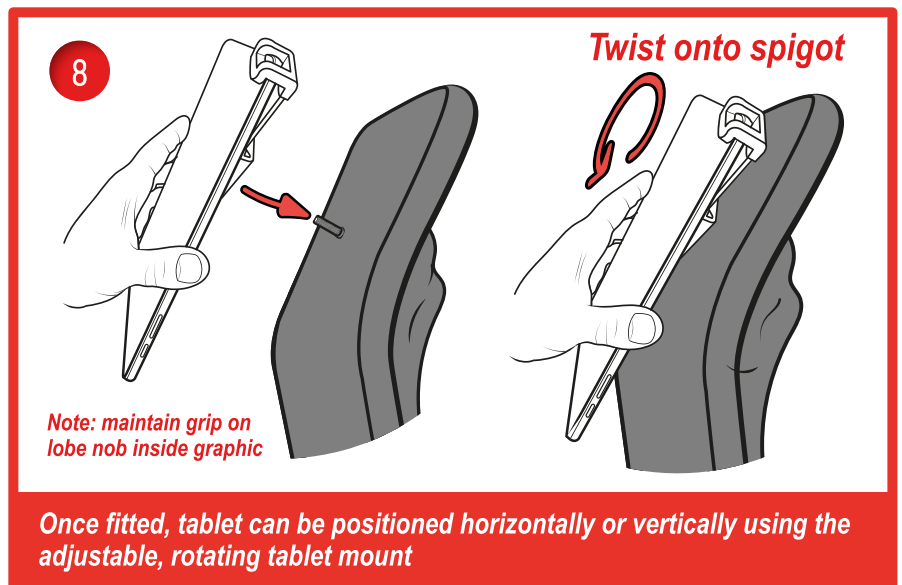
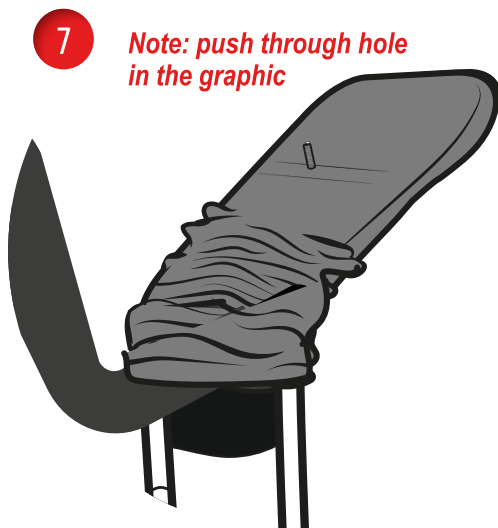
Installing Tablet Holder/Fitting Graphic



Note: Press bars to fit tightly around corner of tablet and tighten using Allen Key*



Note: Process is carried out inside the graphic



Once fitted, tablet can be positioned horizontally or vertically using the adjustable, rotating tablet mount

Universal iPad & Tablet Stand

User Instructions

