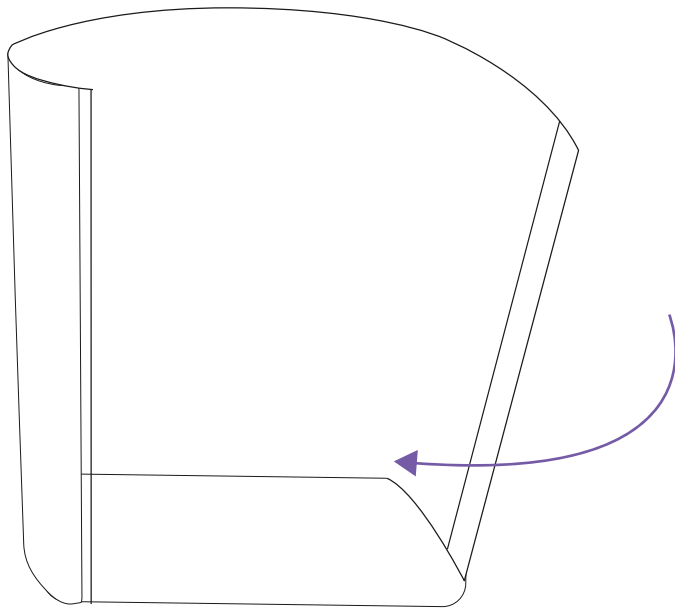


Rectangular Exhibition Counter User Guide

Remove all poles from the bag and their packaging

- 1 Lay base on the floor and apply wrap



- 2 Place counter top on wrap ensuring it is secure

