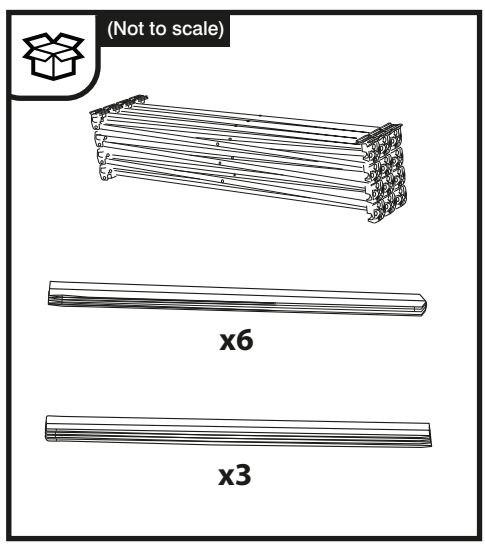
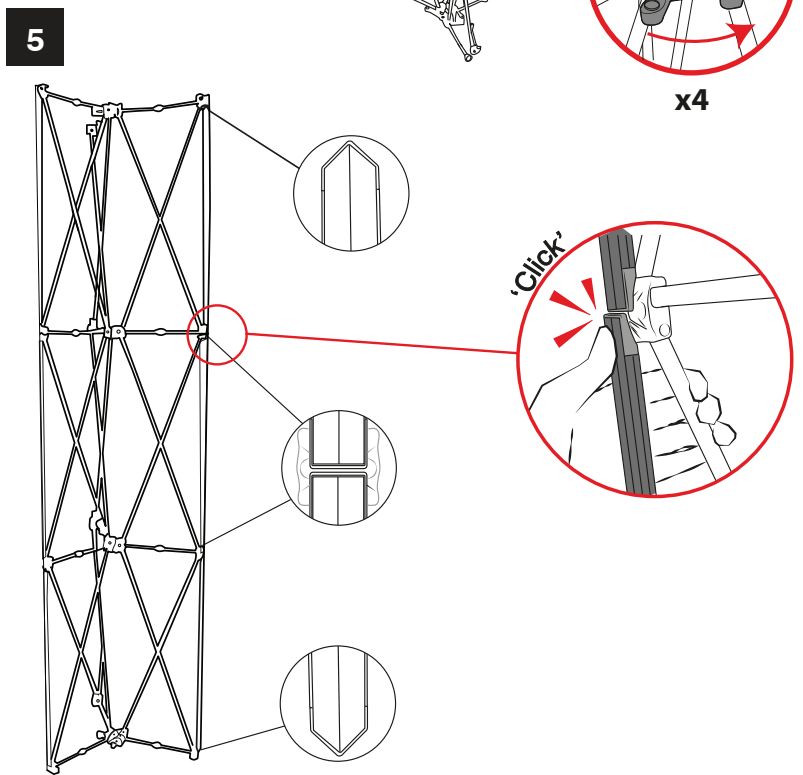
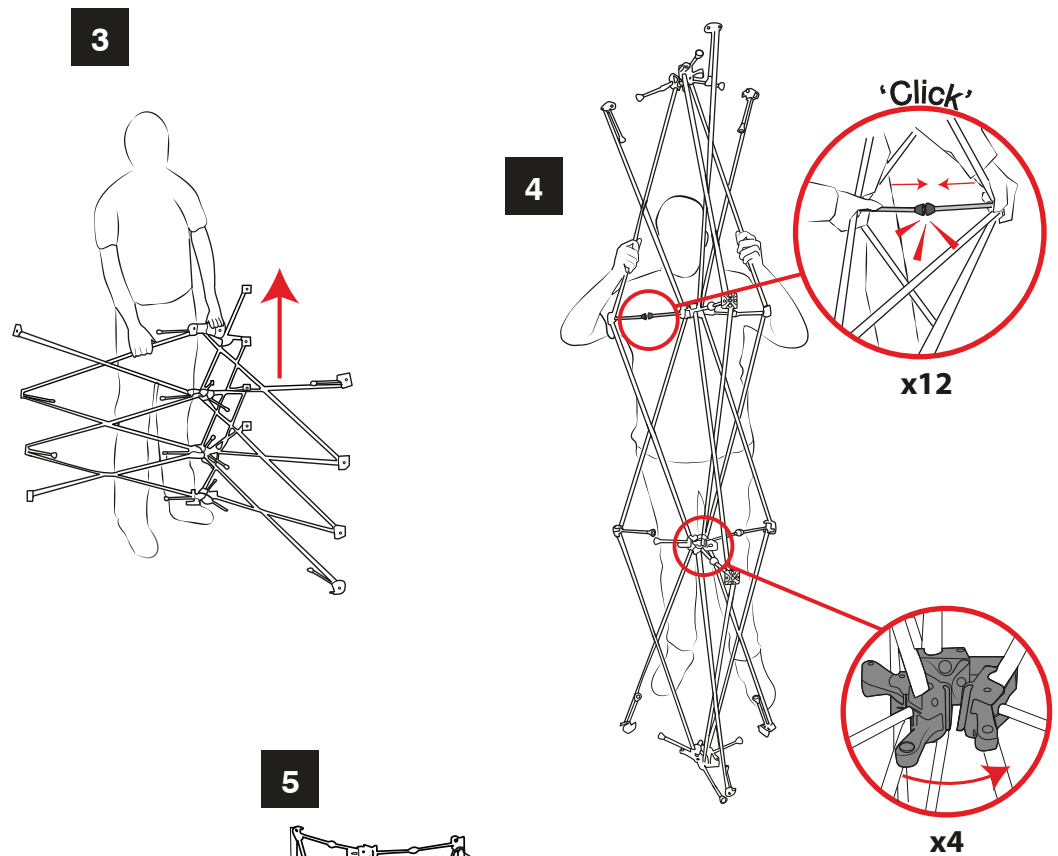
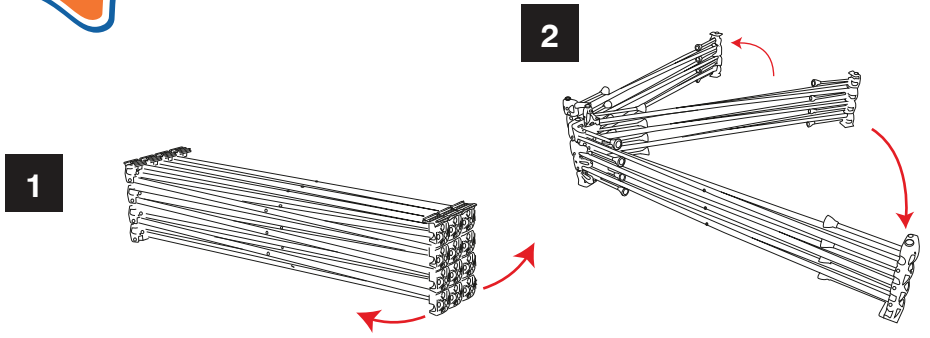
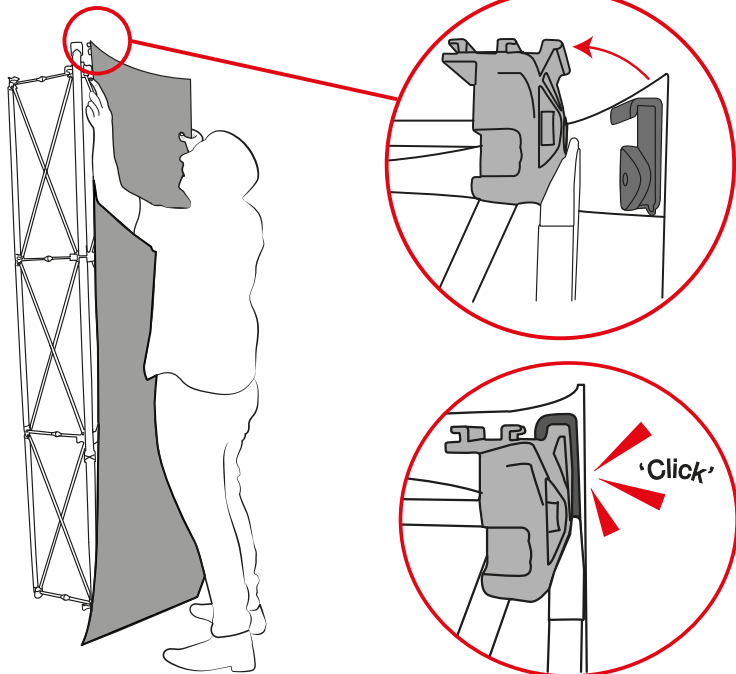


**GRAPHIC  
POP-UP TOWER  
USER GUIDE**

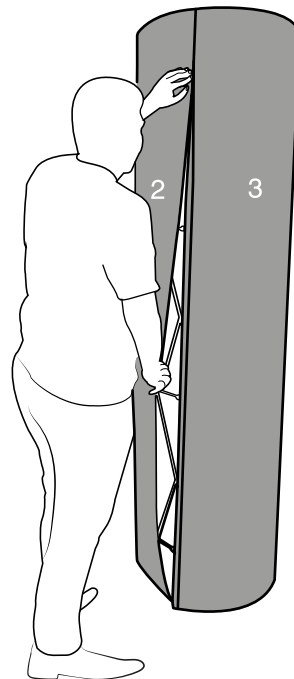




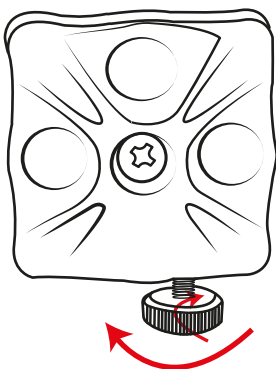
1



2



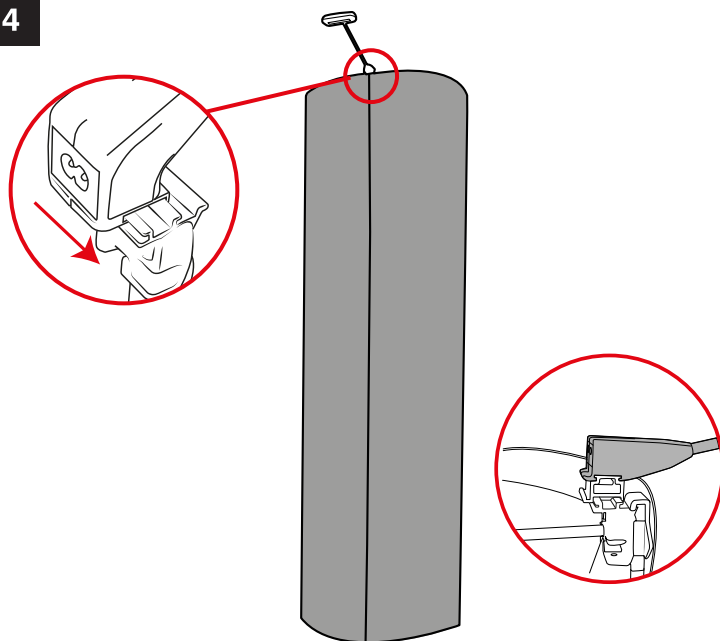
3



Note: Adjustable feet can be used to level frame



4



Attaching Optional Arm lights