


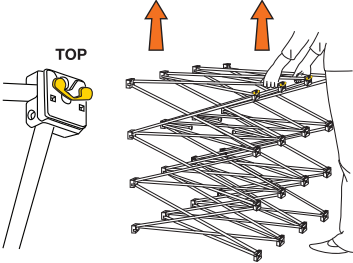
POP-UP ASSEMBLY INSTRUCTIONS

1



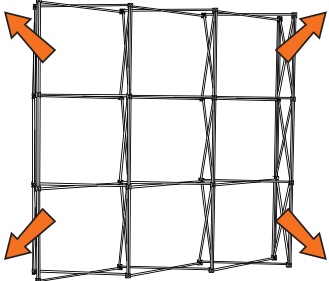
A typical kit includes frame, magnetic bars, 2x D-end graphics and front facing graphics.

2



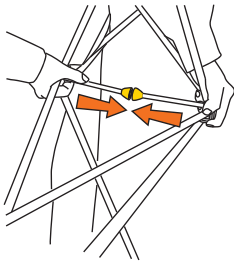
Assemble frame with the yellow coloured hookstuds at the top.

3



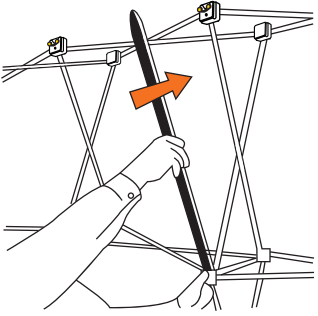
Open out framework.

4



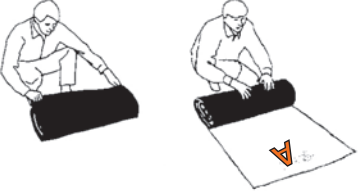
Push the locking bars together until they attach magnetically.

5



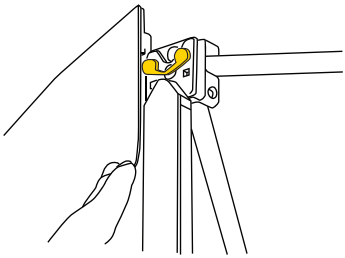
Attach magnetic bars to frame.

6



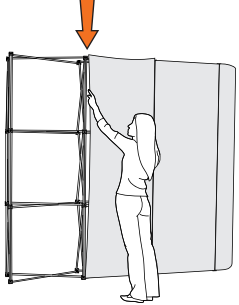
Unroll the graphic panels which are labeled on the rear.

7




Hook on reverse of panel locates on the yellow coloured stud.

8



Align panel edges down centre of magnetic bar.

9



D-end panels curve from front to back.

10 Fitting lighting to frame

