


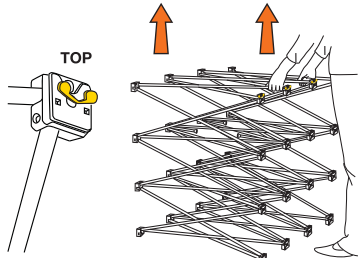
POP-UP ASSEMBLY INSTRUCTIONS

1



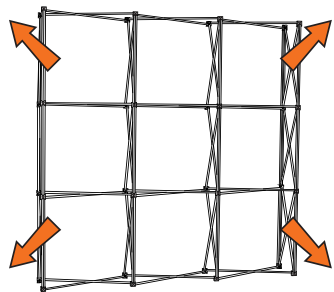
A typical kit includes frame, magnetic bars, 2x D-end graphics and front facing graphics.

2



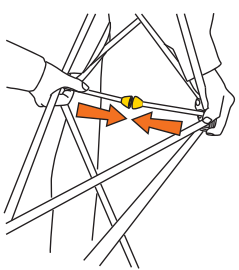
Assemble frame with the yellow coloured hookstuds at the top.

3



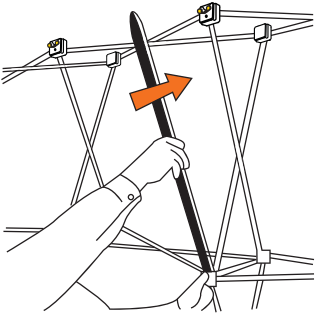
Open out framework.

4



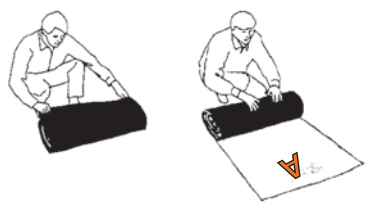
Push the locking bars together until they attach magnetically.

5



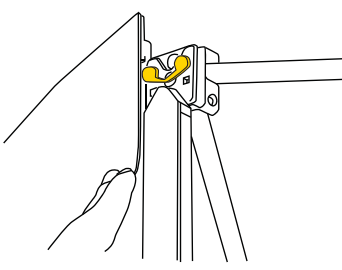
Attach magnetic bars to frame.

6



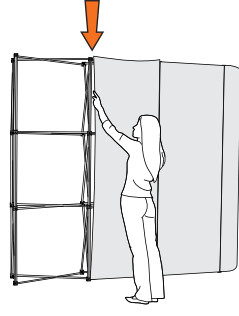
Unroll the graphic panels which are labeled on the rear.

7




Hook on reverse of panel locates on the yellow coloured stud.

8



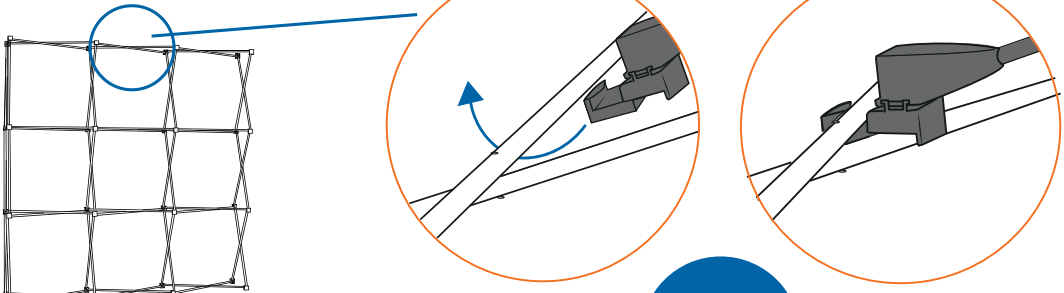
Align panel edges down centre of magnetic bar.

9



D-end panels curve from front to back.

10 Fitting lighting to frame

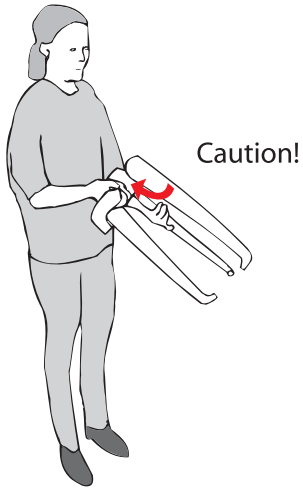


TV STAND
ASSEMBLY
PAGES 2-4

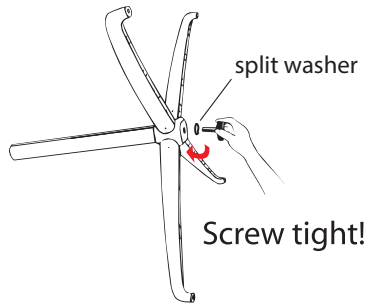
TV STAND ASSEMBLY INSTRUCTIONS (FULL LENGTH POLE)

TV Size from 32" to 60"

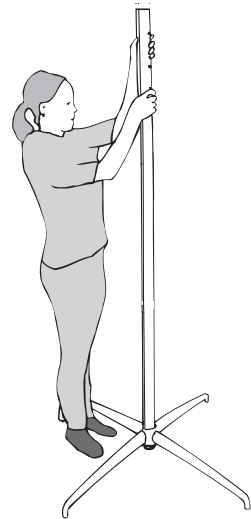
1



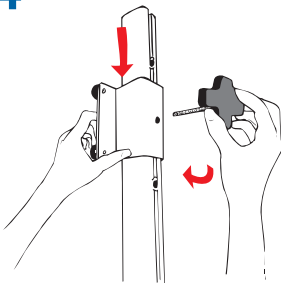
2



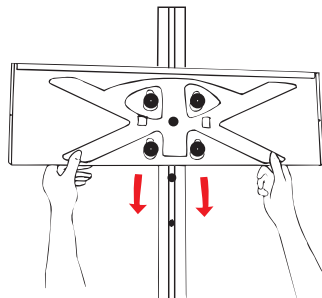
3



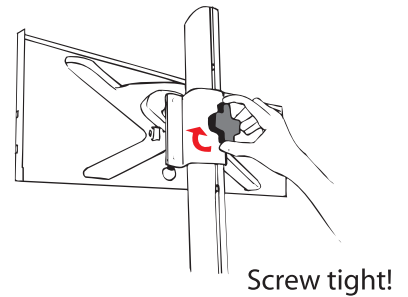
4



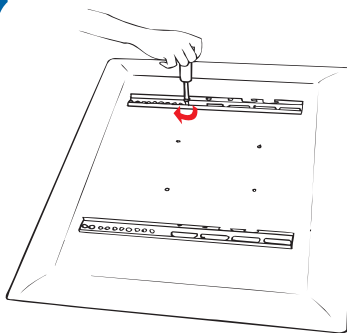
5



6

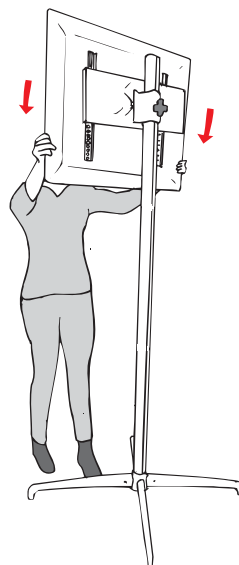


7



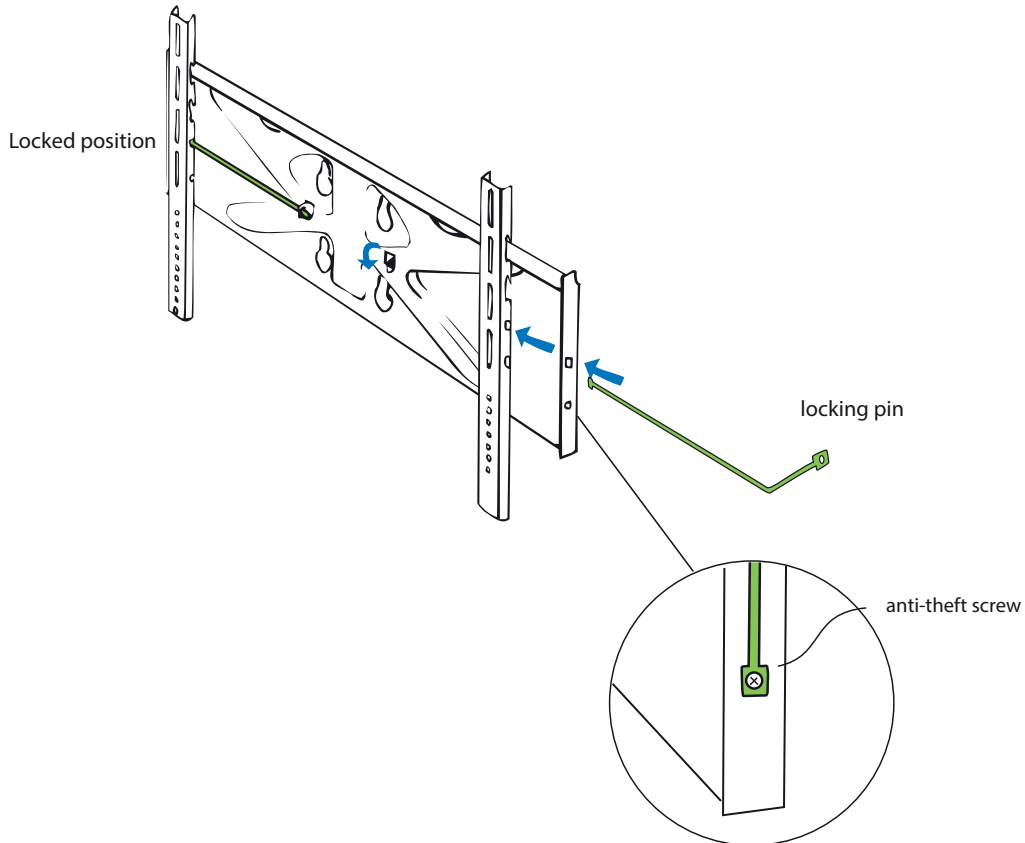
Choose short or long brackets to suit TV.

8

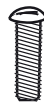


TV STAND ASSEMBLY INSTRUCTIONS

Inserting Locking Pin



M8/20 M6/20 M6/12 M5/20 M5/12 M4/20 M4/12



6x



6x



4x



4x



4x



4x



4x



4x



4x



4x



4x



4x



4x



4x

TV STAND ASSEMBLY INSTRUCTIONS

