


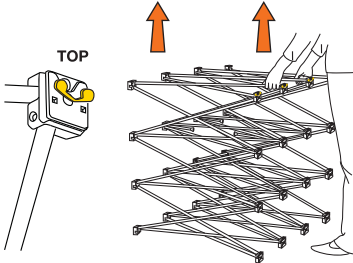
## POP-UP ASSEMBLY INSTRUCTIONS

**1**



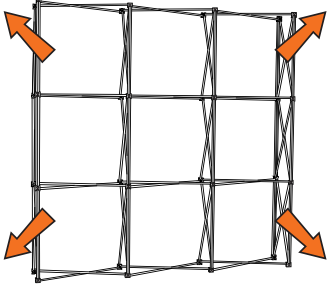
A typical kit includes frame, magnetic bars, 2x D-end graphics and front facing graphics.

**2**



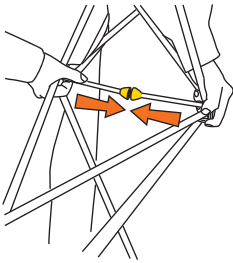
Assemble frame with the yellow coloured hookstuds at the top.

**3**



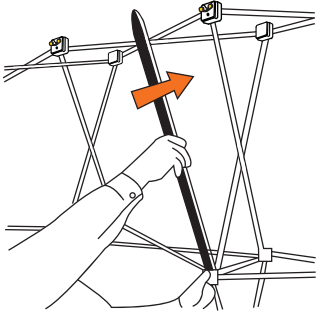
Open out framework.

**4**



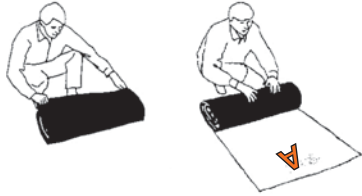
Push the locking bars together until they attach magnetically.

**5**



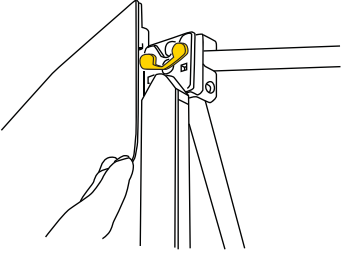
Attach magnetic bars to frame.

**6**



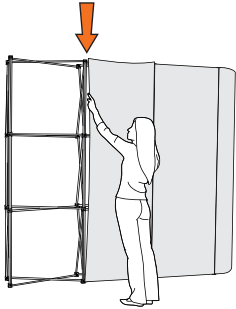
Unroll the graphic panels which are labeled on the rear.

**7**




Hook on reverse of panel locates on the yellow coloured stud.

**8**



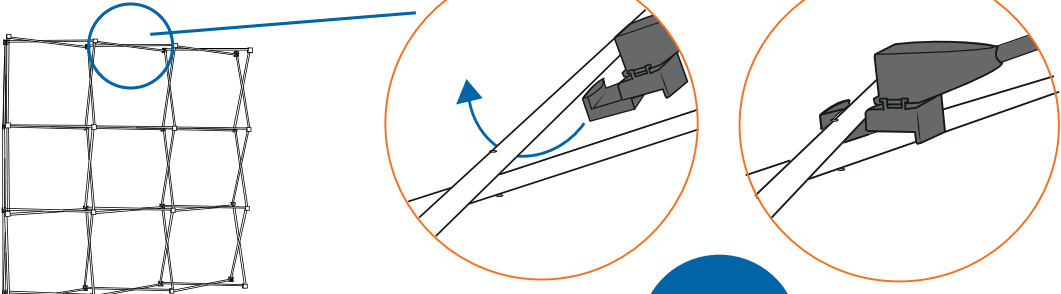
Align panel edges down centre of magnetic bar.

**9**



D-end panels curve from front to back.

**10** Fitting lighting to frame



TV BRACKET  
ASSEMBLY  
PAGES 2-3

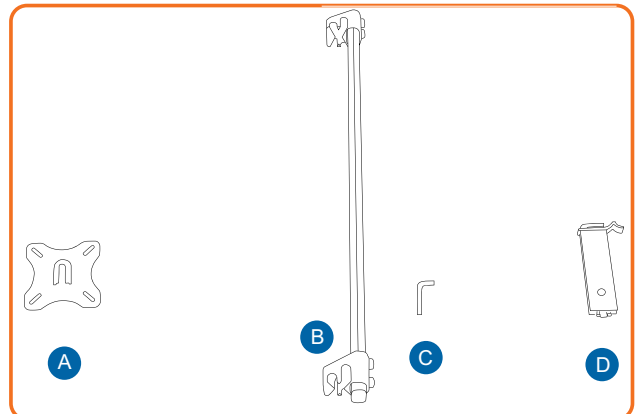
## POP-UP SCREEN MOUNT

### Hardware specifications

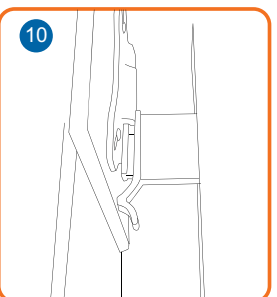
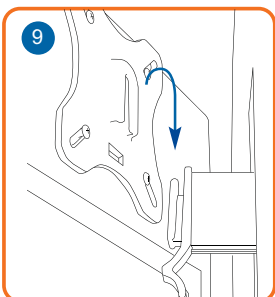
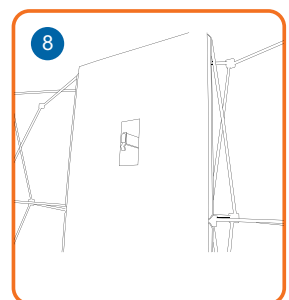
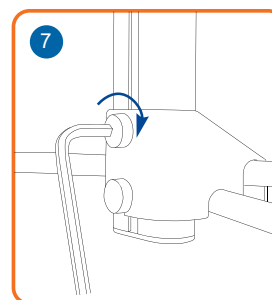
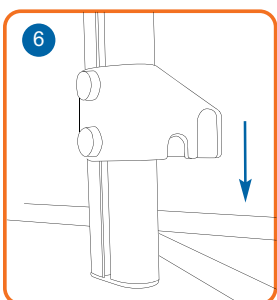
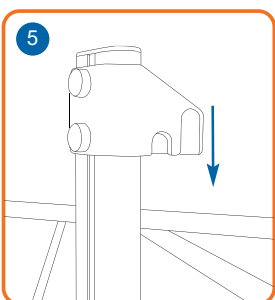
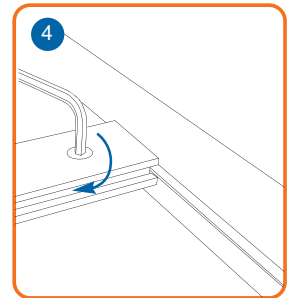
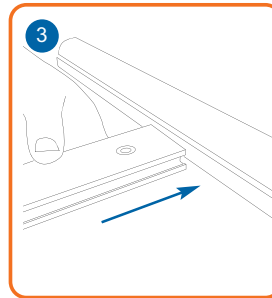
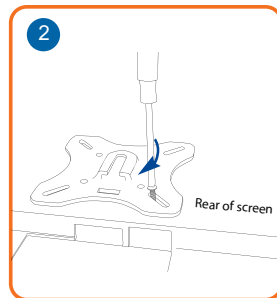
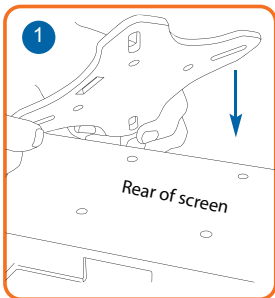
Max screen size: 22" wide screen  
Max screen weight :5kg  
100/75/50 vesa compatible

**Please note:** Ensure screen is flat back for vesa mount plate.

**Please note:** If using a straight or rear curved system please use stabilising feet directly under the screen



(A) LCD screen mount (B) Pop up bracket (C) Allen key (D) Pop up LCD beam



## RELEASING SCREEN

