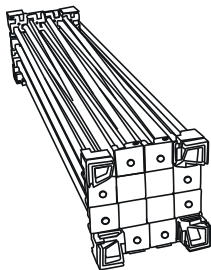


## Backlit Popup user guide



### Parts (Not to scale)

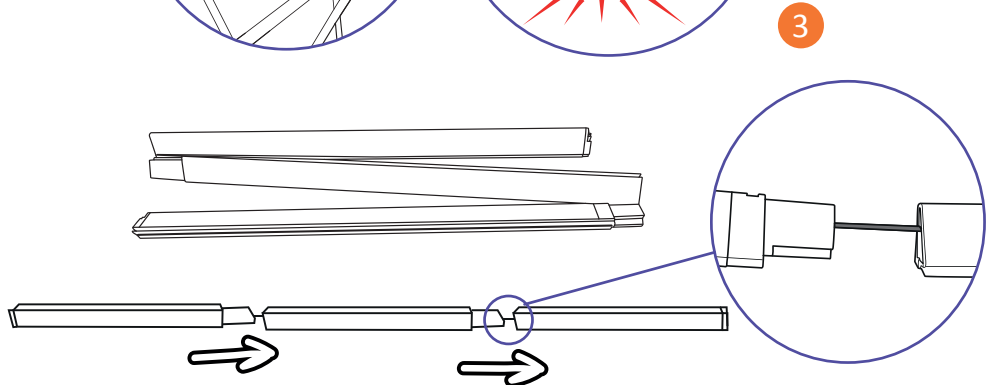
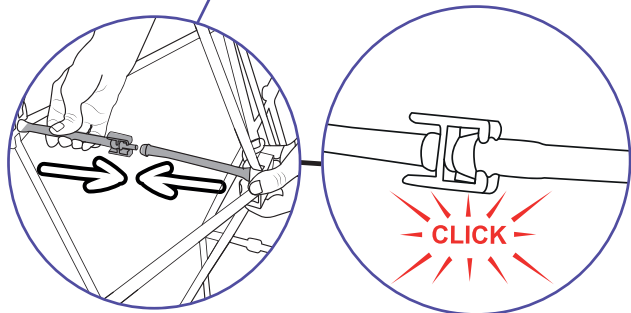
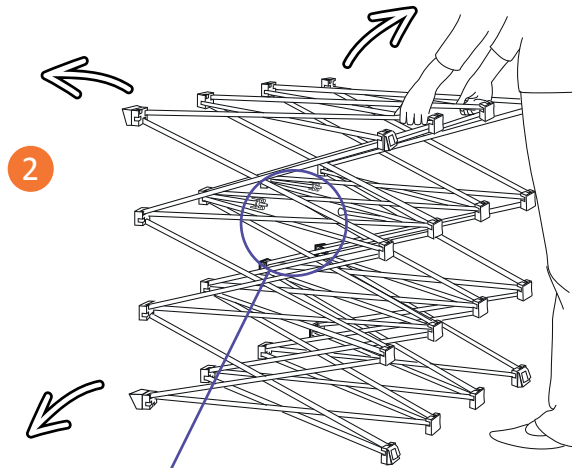
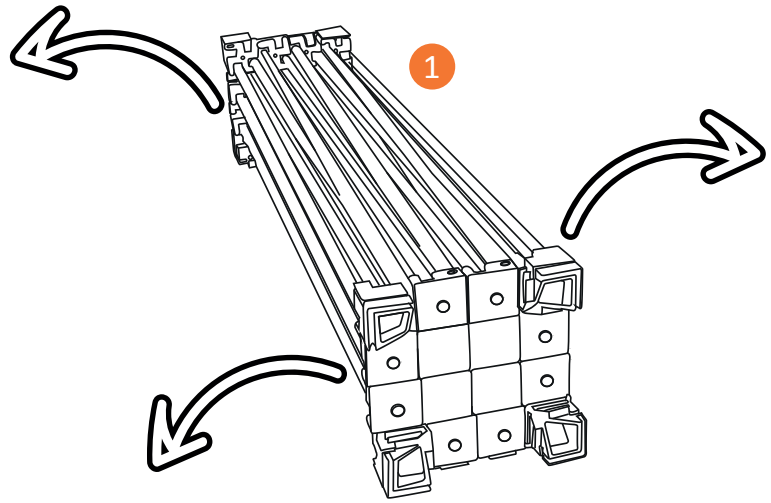
Frame



Channel Bars (x8)

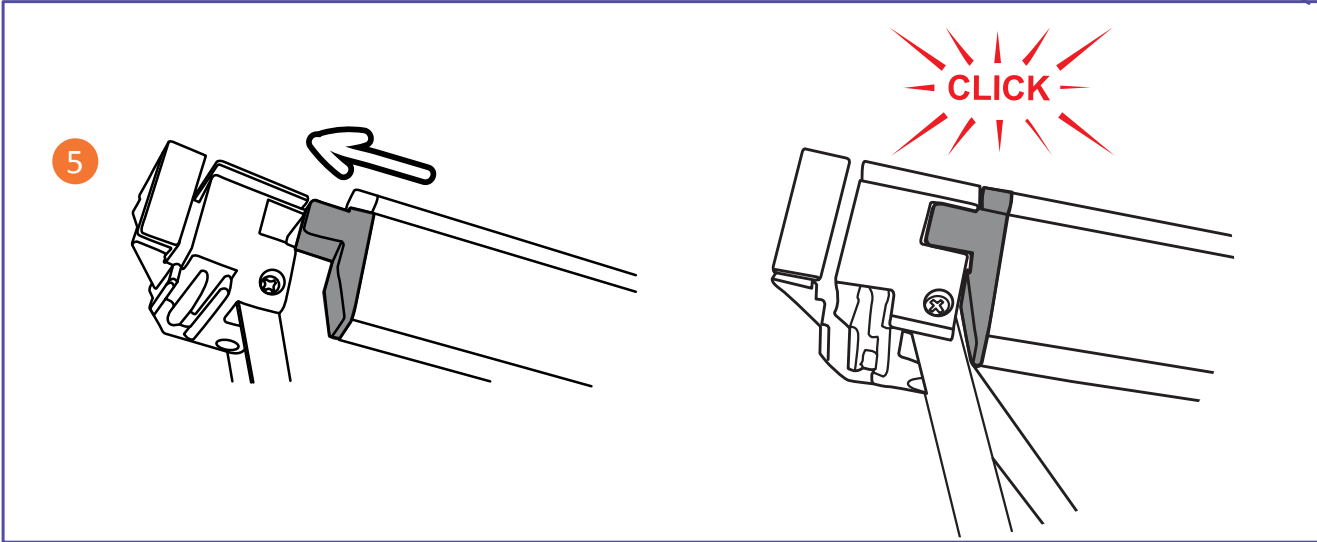
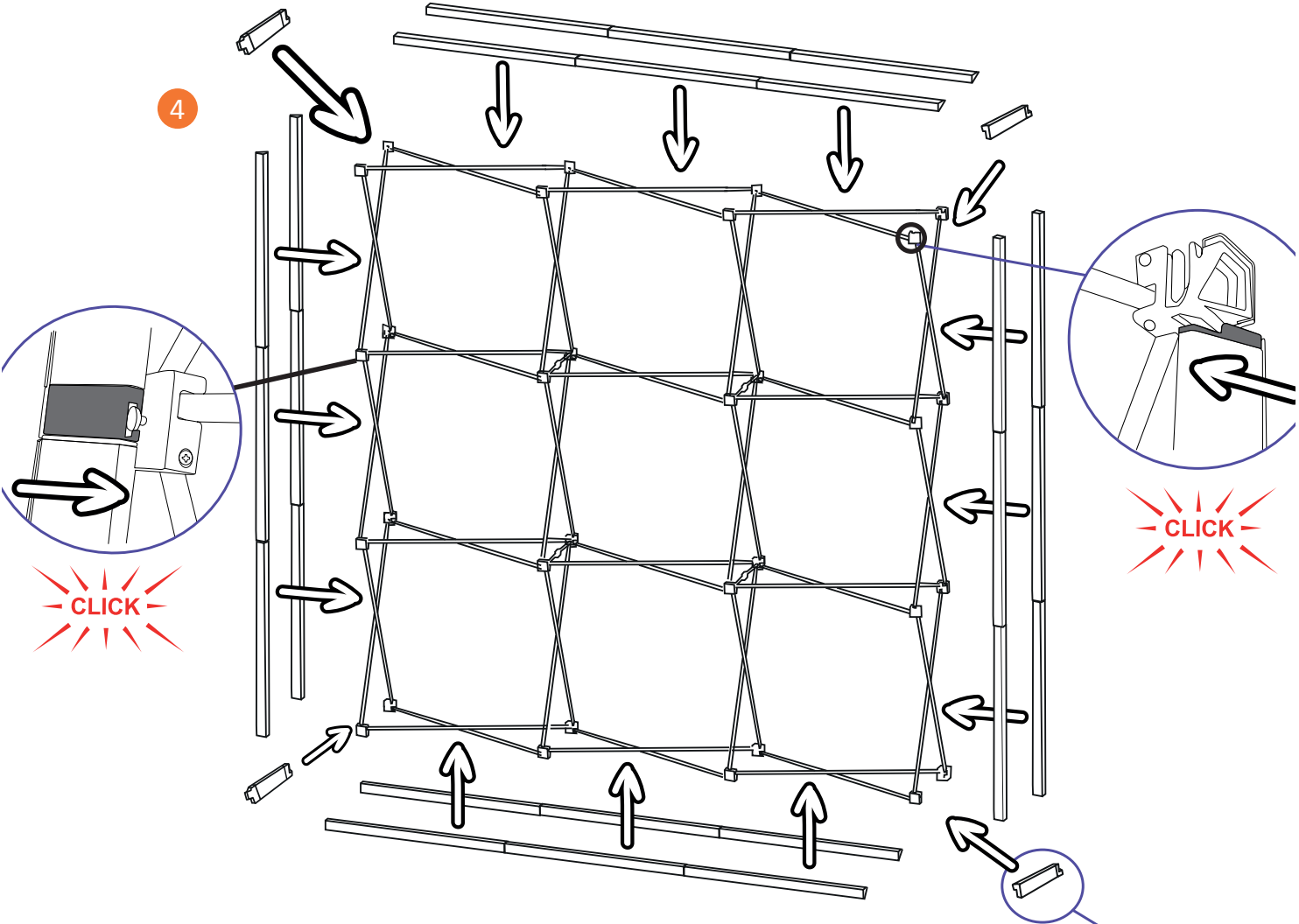


Side Channel Bars (x4)



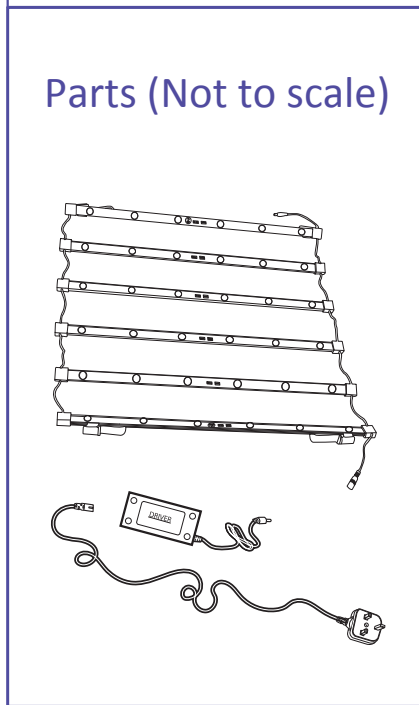
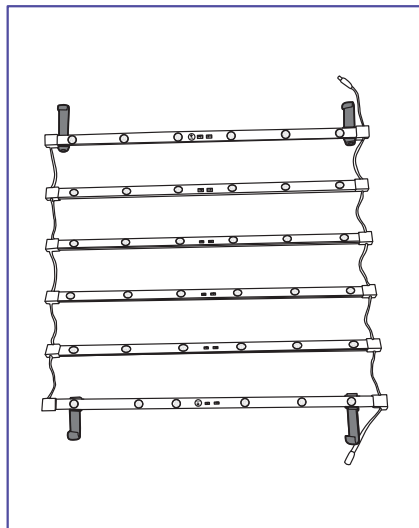
# Backlit Popup

user guide

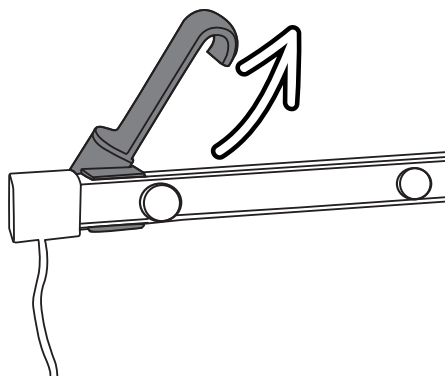


# Backlit LED Curtains

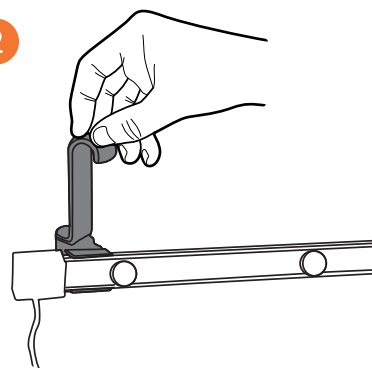
user guide



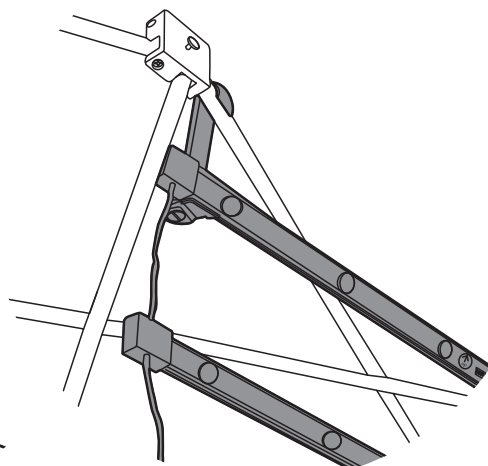
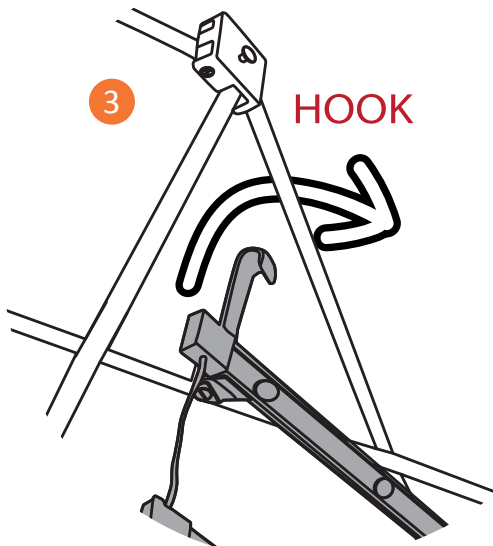
1 TWIST



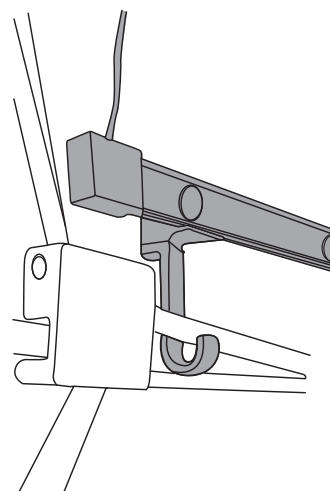
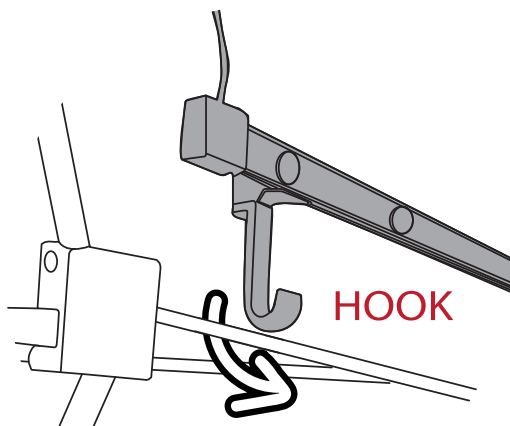
2



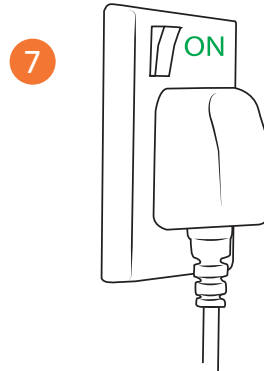
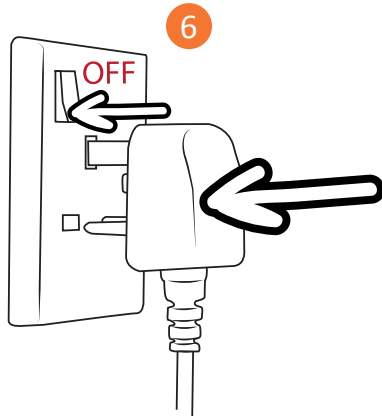
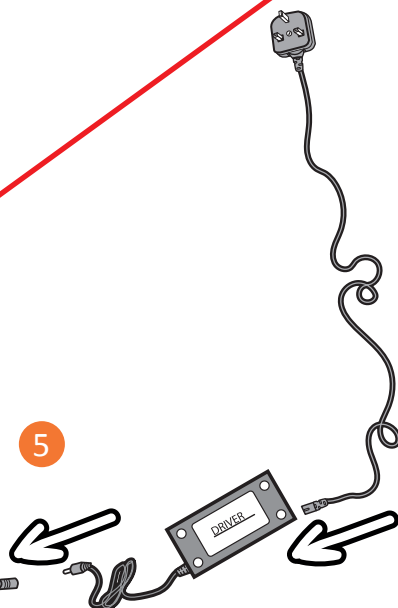
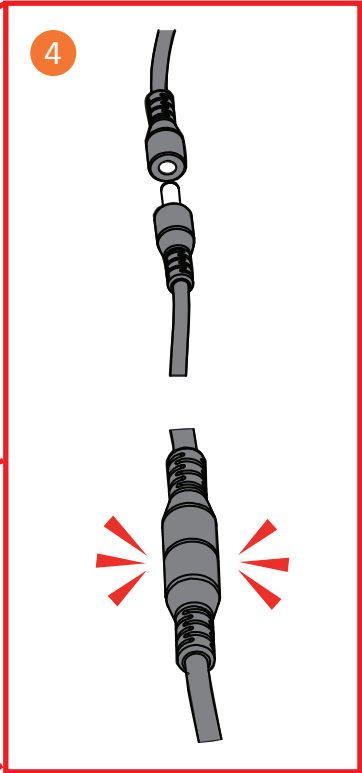
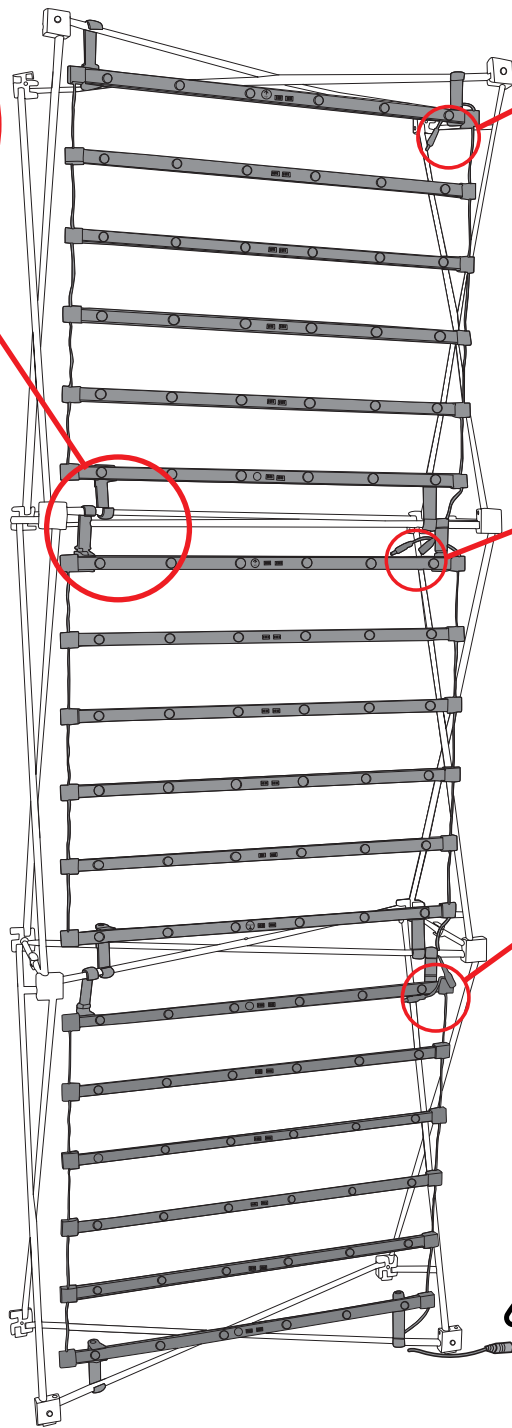
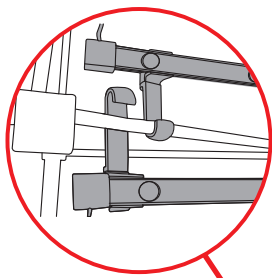
3 HOOK



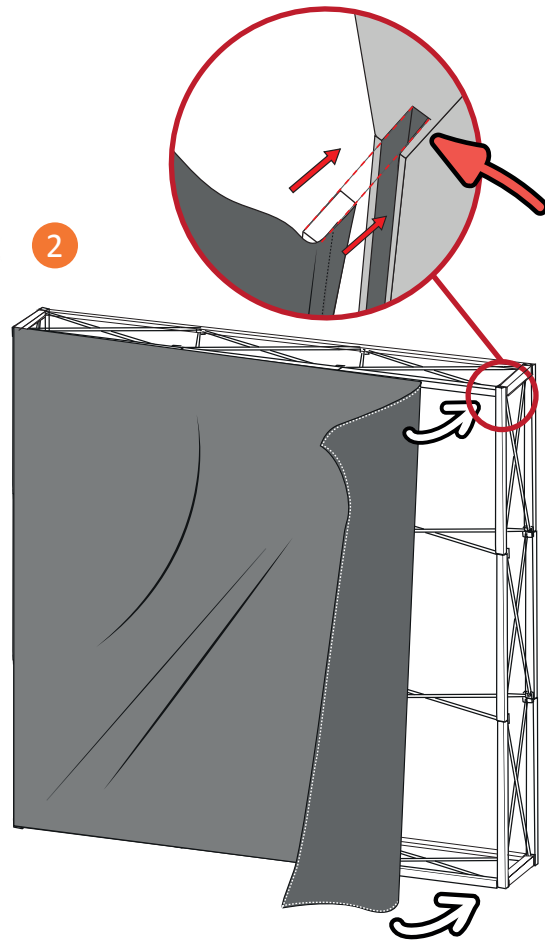
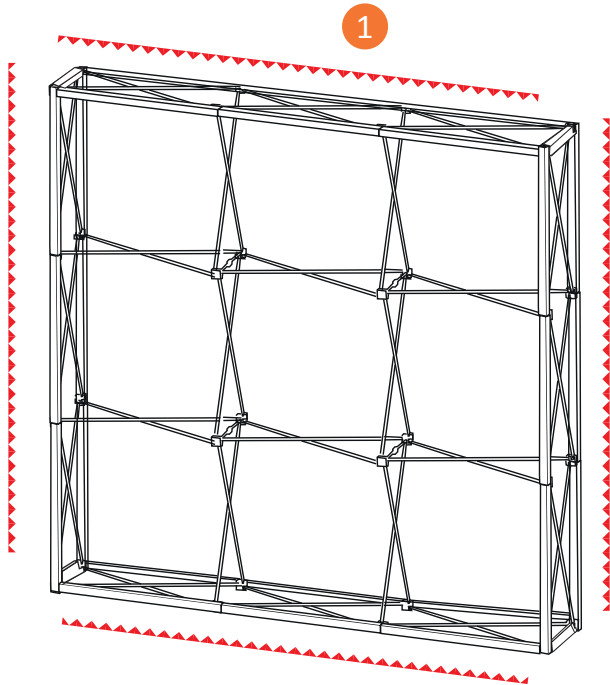
4



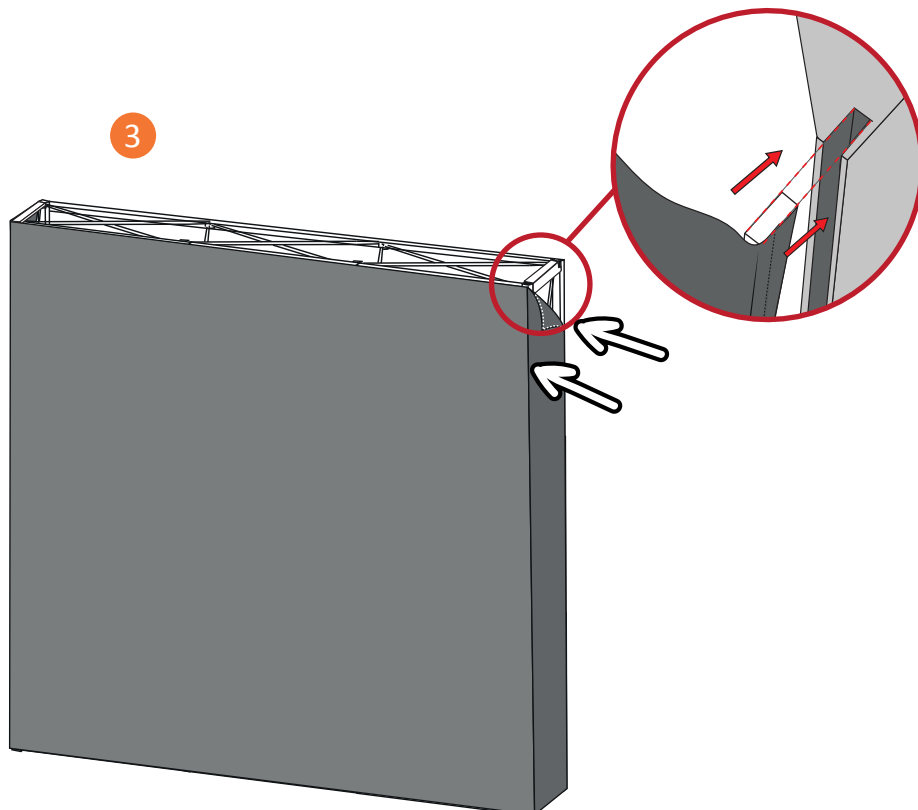
# Backlit Popup user guide



# Backlit Popup attaching graphics

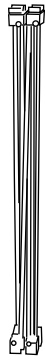


NOTE: Locate the Silicon Edge Gasket into the appropriate channel

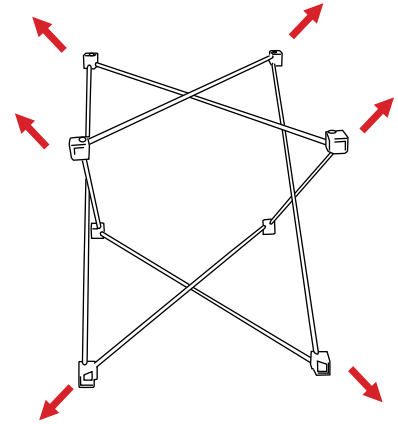


## BACKLIT COUNTER ASSEMBLY INSTRUCTIONS

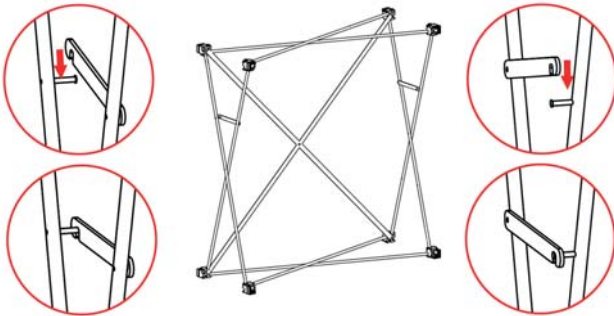
1



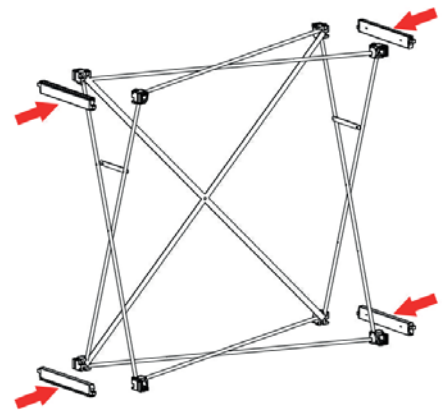
2



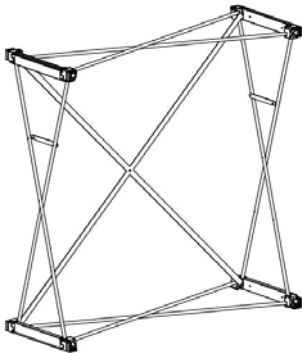
3



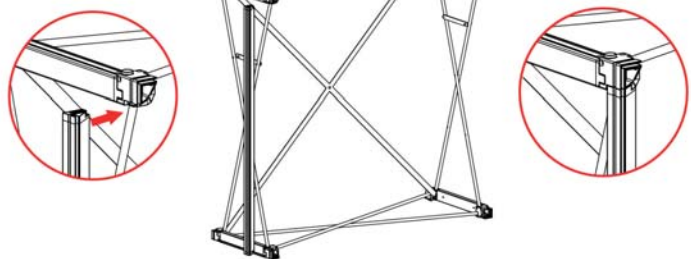
4



5



6



## BACKLIT COUNTER ASSEMBLY INSTRUCTIONS

